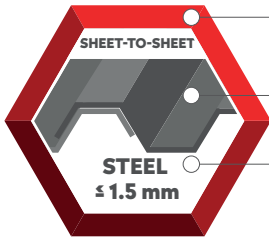




WAFER HEAD SCREW

APPLICATION



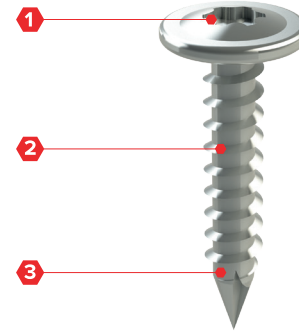
SS A2 304

Sheet-to-sheet

Steel $\leq 1,5$ mm

SPECIFICATION

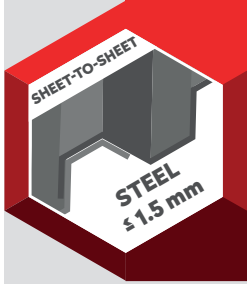
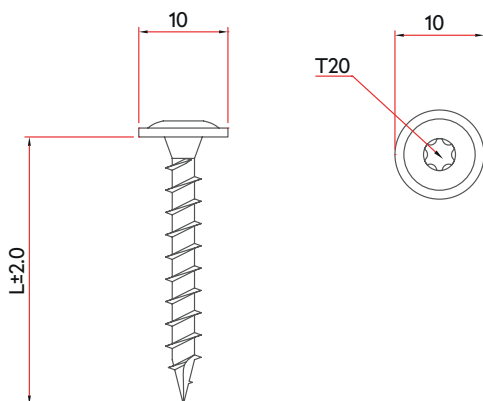
- 1 Head style Torx 20
- 2 Thread for substructure steel $\leq 1,5$ mm
- 3 Sharp drilling point



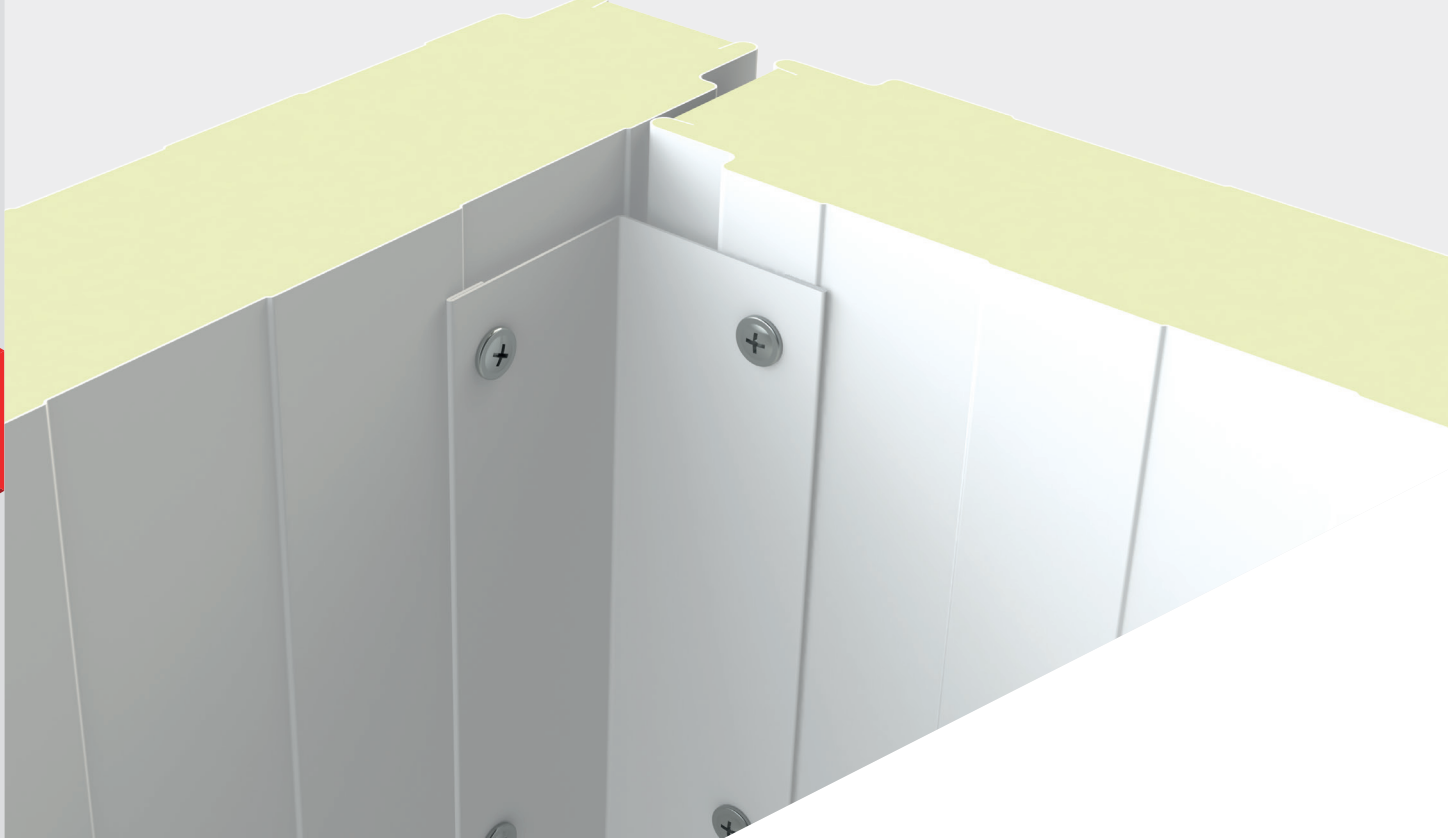
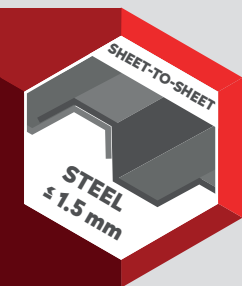
OPTIONS

- 1 Powder coated in any desired RAL colour

SECTION



STITCHING SCREWS - STEEL $\leq 1,5$ MM - SS A2 304



ORDER INFORMATION

Product	Description	Size	Packaging	Article code
Wafer head Screw	Self-Drilling low profile screw, SS A2	4,0 x 30 mm	500 pcs/box	20011740030

Other types and measurements available on request.

STITCHING SCREWS - STEEL ± 1,5 MM - SS A2 304