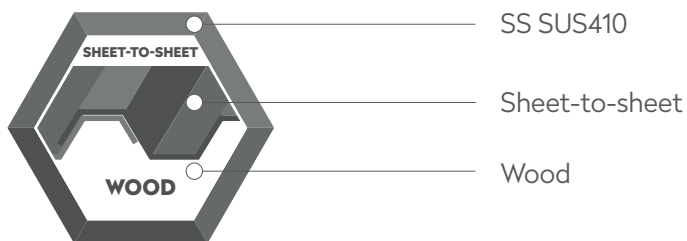




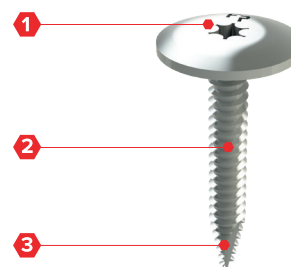
SELF-DRILLING STANDING SEAM ROOF SCREW

APPLICATION



SPECIFICATION

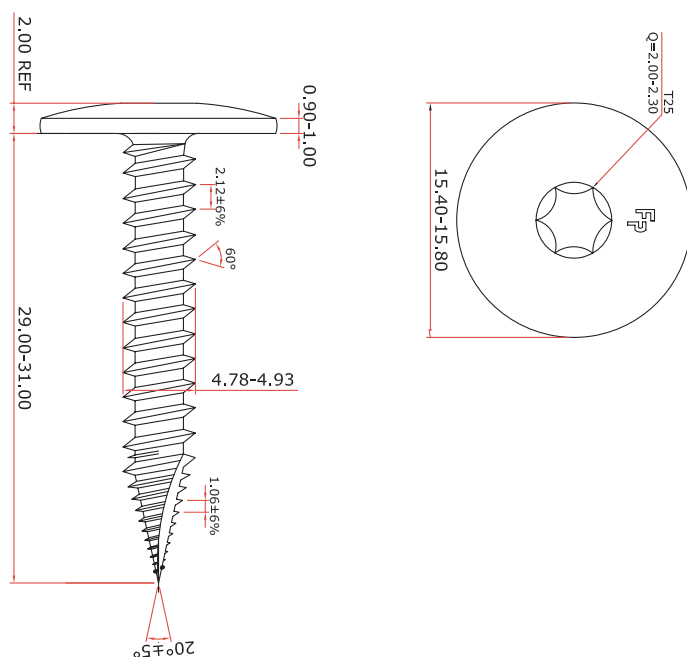
- 1 Head style Torx 25
- 2 Thread for substructure wood
- 3 Drilling point type 17



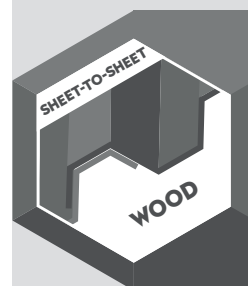
OPTIONS

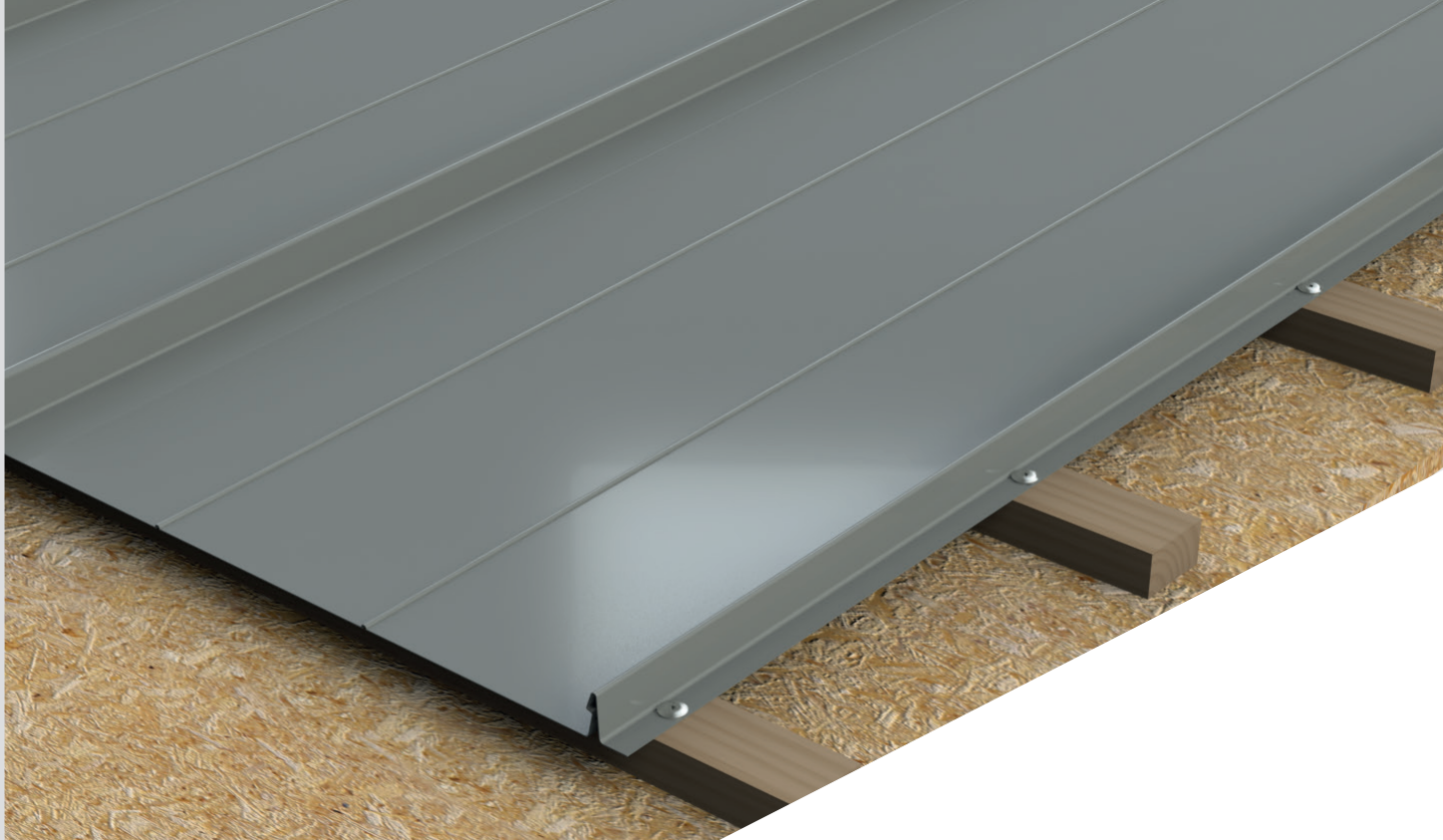
- 1 Powder coated in any desired colour

SECTION



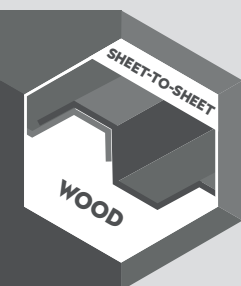
STITCHING SCREWS - WOOD - SS SUS410





ORDER INFORMATION

Product	Size	Packaging	Article code
Standing seam roof screw 4,8 x L, Type 17	4,8 x 30 mm	250 pcs/box	20031748030



More information on materials, application, specific properties and certification can be found in chapter 10.

CERTIFICATES



QUALITY
CONFIRMED