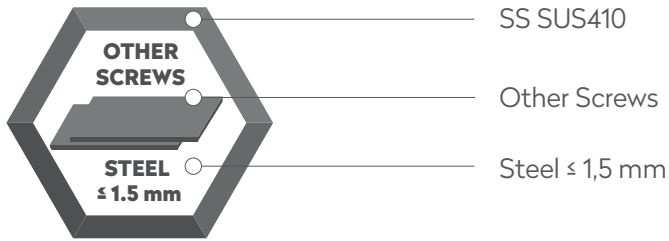




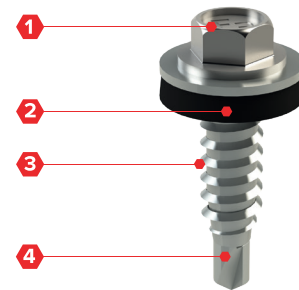
REFURBISHMENT SCREW

APPLICATION

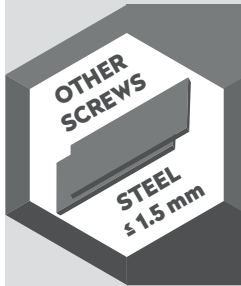
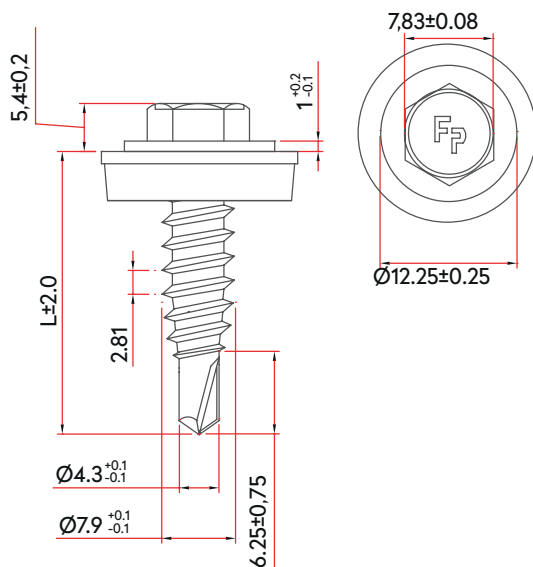


SPECIFICATION

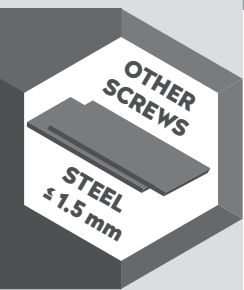
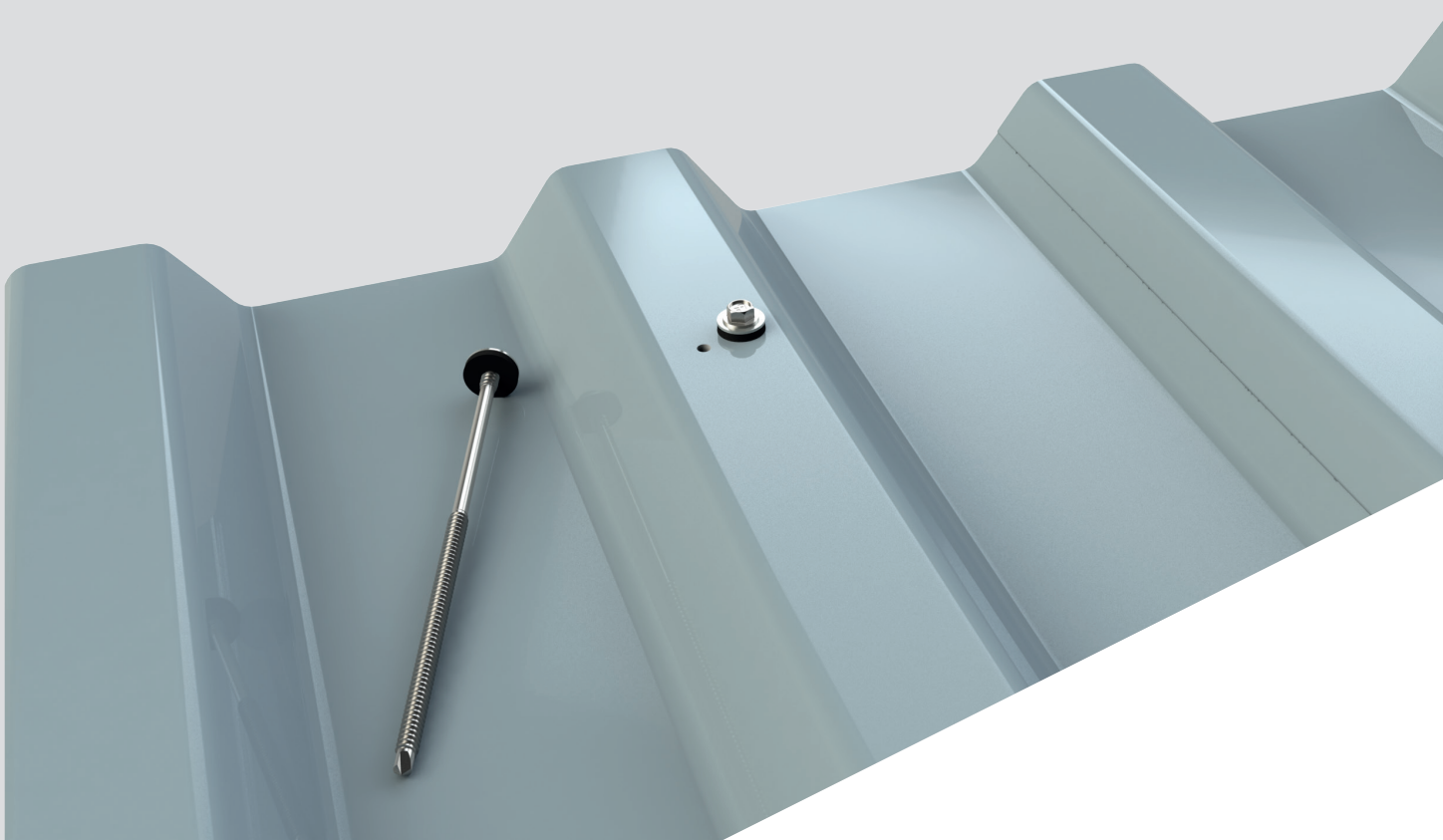
- 1 Head style 5/16" (8 mm)
- 2 Washer diameter standard 19 mm
- 3 Special coarse thread for optimal grip
- 4 Drilling point



SECTION



OTHER SCREWS - STEEL $\leq 1,5$ MM - SS SUS410



OTHER SCREWS - STEEL ≤ 1,5 MM - SS SUS410

ORDER INFORMATION

Product	Size	Ring	Packaging	Article code
Renovation screw	8,0 x 25 mm	16	250 pcs/box	2003018002516

CERTIFICATES



QUALITY
CONFIRMED