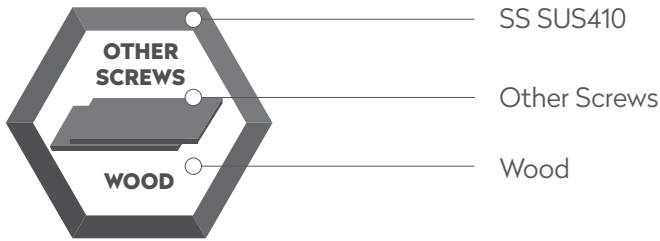




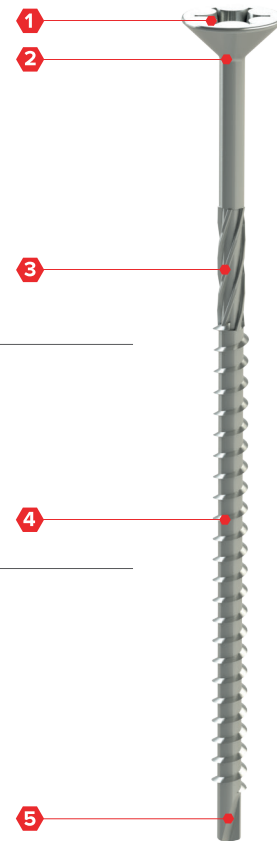
# TRAP HEAD SCREWS

## APPLICATION



## SPECIFICATION

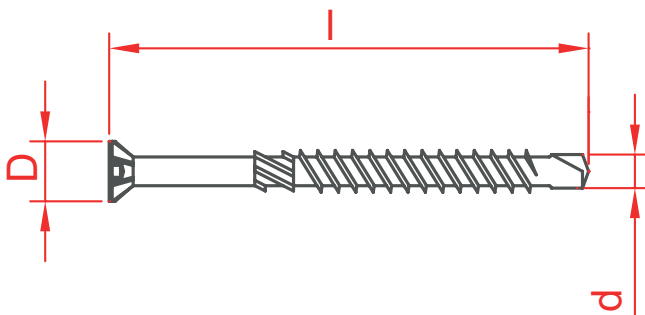
- 1 Head style Torx 15
- 2 Countersunk head
- 3 Milling ribs
- 4 Wood thread
- 5 Drilling point 1



## OPTIONS

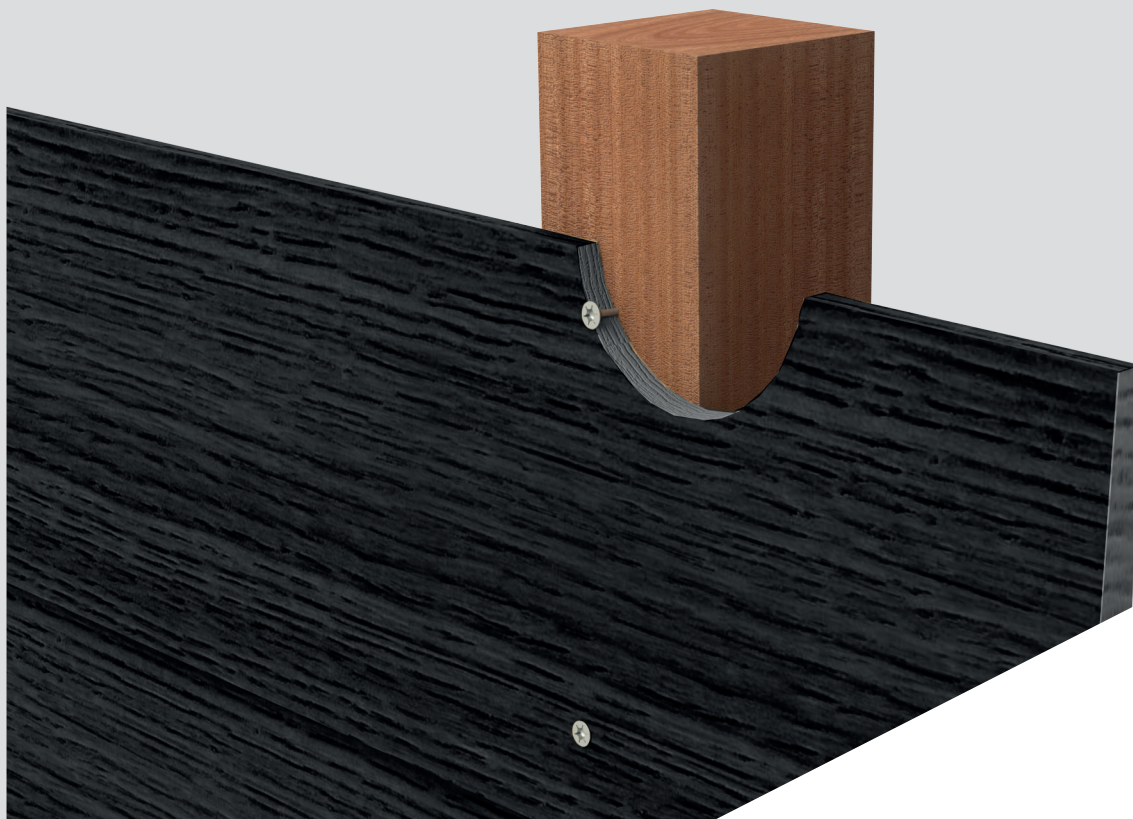
- 1 Powder coated in any desired RAL colour

## SECTION



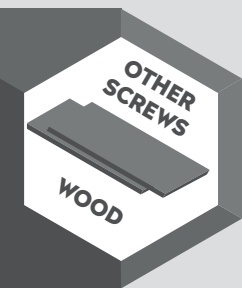
OTHER SCREWS - WOOD - SS SUS410





**ORDER INFORMATION**

Product	Description	Size	Packaging	Article code
Trap head screw	DP1	4,0 x 40 mm	200 pcs/box	25020140040
Trap head screw	DP1	4,0 x 50 mm	200 pcs/box	25020140050
Trap head screw	DP1	4,0 x 60 mm	200 pcs/box	25020140060



**CERTIFICATES**



European  
Technical Approval  
ETA 17/0321



QUALITY  
CONFIRMED